

UNIGUARD INSTALLATION NOTES

Apply power to the CDI device before connecting any cables. The Green power LED will illuminate.

Make sure to install the “Z” bracket that holds the power connector to the body of the UniGuard to eliminate any unintentional power interruptions.

The UniGuard will initialize and then the small red DTR modem LED will illuminate signifying the unit is ready. (If this LED does not illuminate, the unit is not functioning properly) .

Connect the host application cable as well as the Telco cable. Any CDI RJ45-RJ45 application cable has a specific end which must be connected to the CDI device. This end is clearly marked “CDI”. The straight flat grey RJ45 cables can use either end. The link port can optionally connect to a power control module with the supplied “CDI green RJ45 cable” or is an optional serial input for external communications device connection (wireless modem etc.).

The large yellow host DTR LED will illuminate with a correctly installed host cable and a working application. The host DTR LED being illuminated is essential to proper operation as DTR controls the dropping of a call.

The device will display “ENTER ID>” when a test call is made to the device. There are no ID’s in the default profile.

NOTE: THE UNIGUARD NEEDS TO BE CONFIGURED BY DDM PRIOR TO USE. CONTACT YOUR DDM ADMINISTRATOR FOR A PROGRAM DOWNLOAD.

If the yellow host DTR LED is not illuminated:

1. There is no CDI application cable installed
2. The wrong CDI application cable is installed.
3. The CDI application cable is installed backwards (reverse the ends).
4. The host application is not asserting DTR.
5. The host application is not powered on or not functioning properly



Communication Devices Inc.
1 Forstmann Court
Clifton, NJ 07011
1.973.772.6997

www.outofbandmanagement.com



RED MODEM
DTR LED

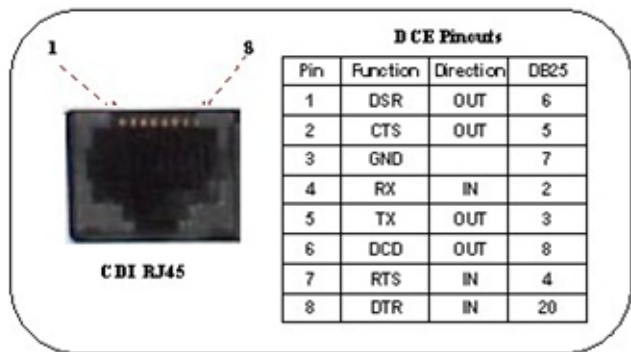
YELLOW HOST
DTR LED

POWER LED

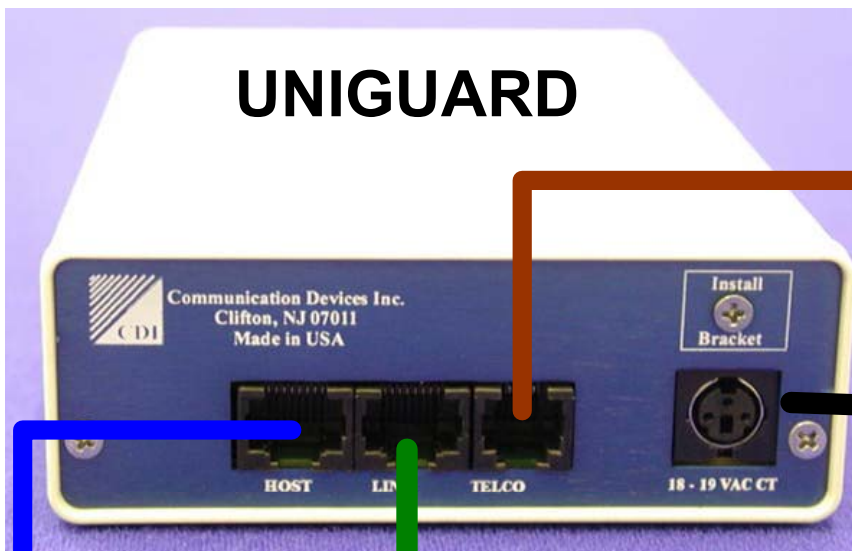
UNIGUARD INSTALLATION

WITH POWER CONTROL OPTION

CDI RJ45 Pinout



RJ 45 (8 pin modular) Socket connector



ANALOG TELCO CABLE

RJ11

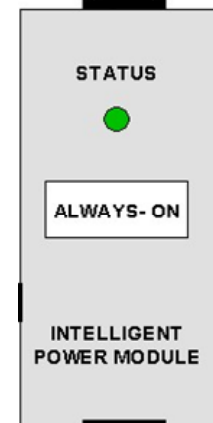
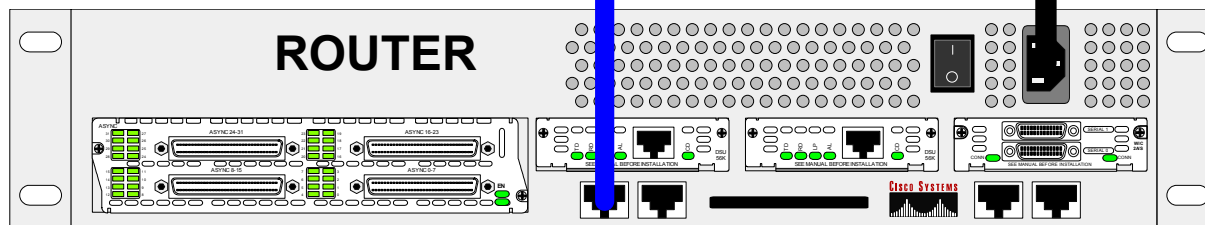


POWER SUPPLY "Z" BRACKET

POWER CONTROL CABLE

HOST APPLICATION CABLE

SWITCHED POWER



MAIN POWER



Communication Devices Inc.
1 Forstmann Court
Clifton, NJ 07011
1.973.772.6997