

PORT AUTHORITY SAM11 INSTALLATION NOTES

Apply power to the CDI device before connecting any cables. The Green power LED will illuminate. Make sure to install the “Z” bracket that holds the power connector to the body of the Port Authority to eliminate any unintentional power interruptions (you may need to adjust this slightly to keep the connector straight).

The Port Authority SAM will initialize (ALM LED will illuminate & extinguish) and the RDY modem LED will illuminate, signifying the unit is ready. (If the RDY modem LED does not illuminate, the unit is not functioning properly) .

Connect the host application cable to the connected device console port (DTR will illuminate). Any CDI RJ45-RJ45 application cable has a specific end which must be connected to the CDI device. This end is clearly marked “CDI”. The straight flat grey RJ45 cables can use either end.

Connect the Telco cable. A Power Control module can be connected on the front of the unit via an RJ11 cable.

The device will display “ENTER ID>” when a test call is made to the device. There are no ID’s in the default profile.

NOTE: THE PORT AUTHORITY SAM NEEDS TO BE CONFIGURED BY DDM PRIOR TO USE. NO CONNECTIONS WILL PASS UNTIL YOU CONTACT YOUR DDM ADMINISTRATOR FOR A PROGRAM DOWNLOAD.

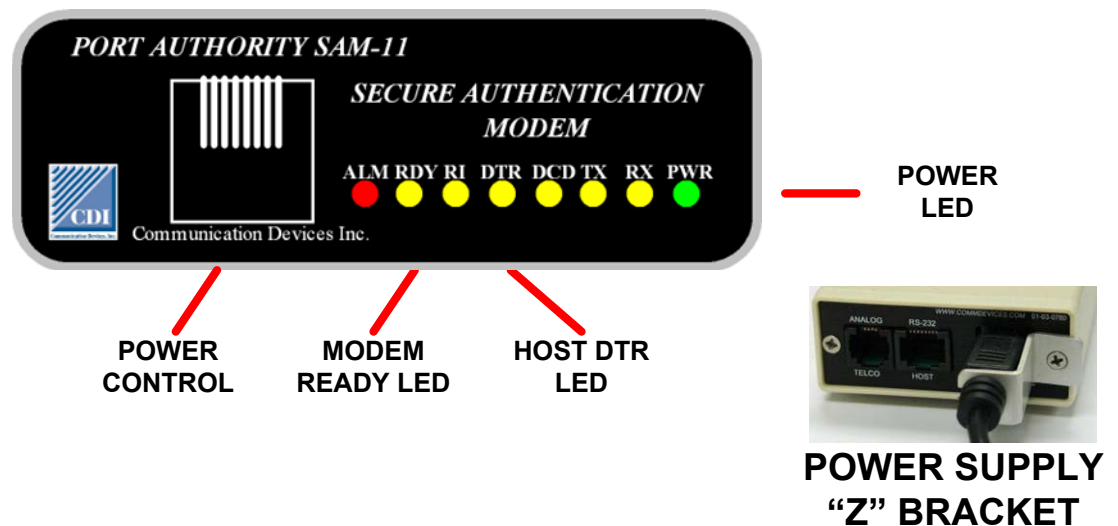
If the HOST DTR LED is not illuminated:

1. There is no CDI application cable installed
2. The wrong CDI application cable is installed.
3. The CDI application cable is installed backwards (reverse the ends).
4. The host application is not asserting DTR.
5. The host application is not powered on or not functioning properly



Communication Devices Inc.
1 Forstmann Court
Clifton, NJ 07011
1.973.772.6997

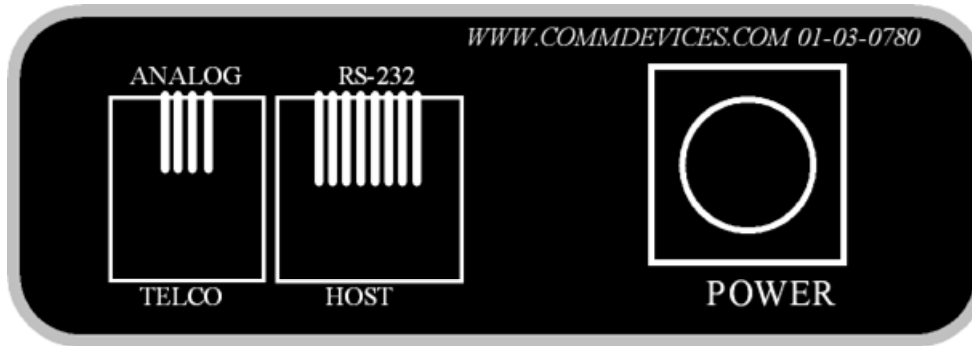
www.outofbandmanagement.com



PORT AUTHORITY SAM11 INSTALLATION

WITH POWER CONTROL OPTION

POWER CONTROL
CABLE (RJ11)
TO FRONT PANEL



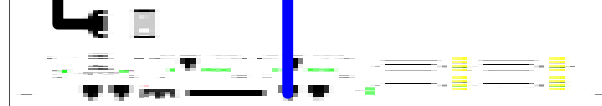
REMOTE
TELCO (RJ11)

HOST
CONSOLE
CABLE
(SERIAL RJ45)

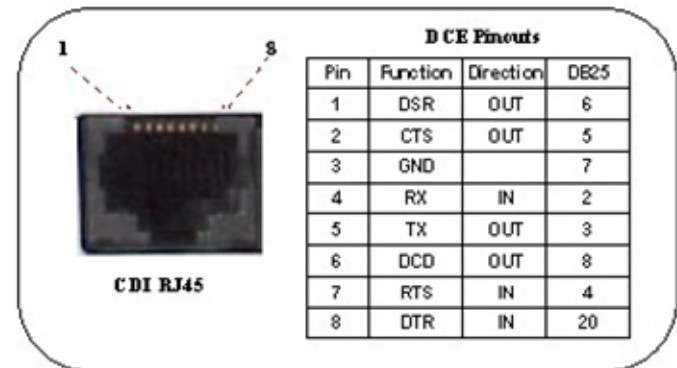


POWER
SUPPLY

POWER



CDI RJ45 Pinout



RJ 45 (8 pin modular) Socket connector



Communication Devices Inc.
1 Forstmann Court
Clifton, NJ 07011
1.973.772.6997