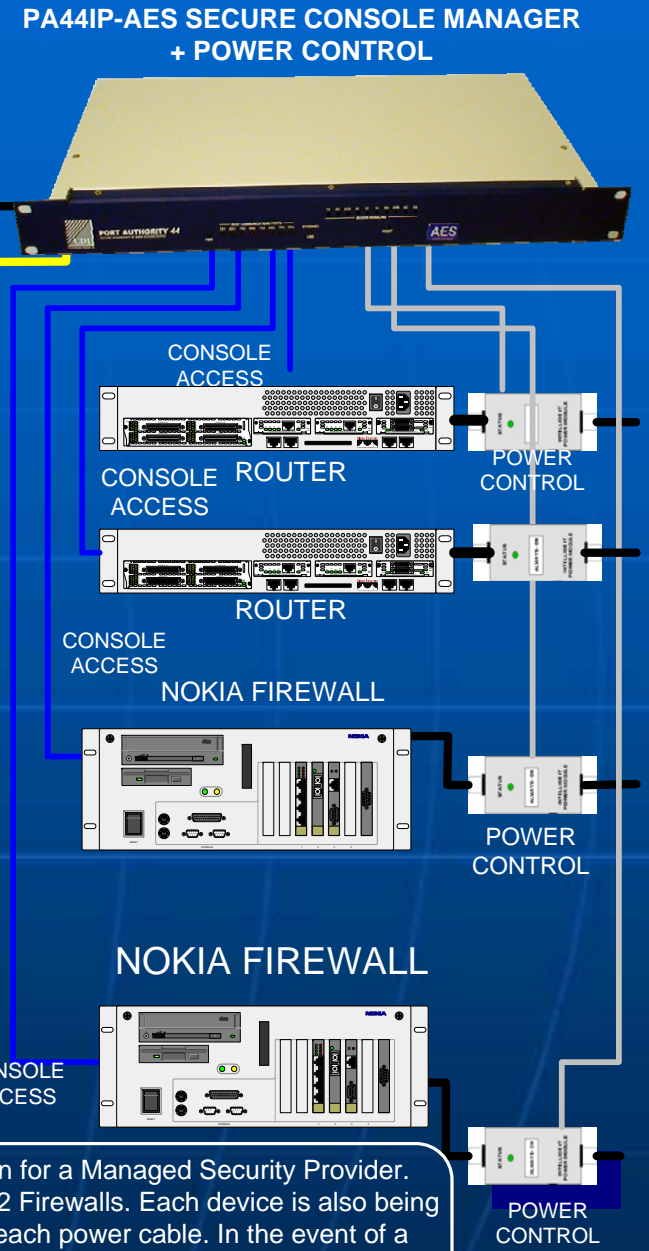
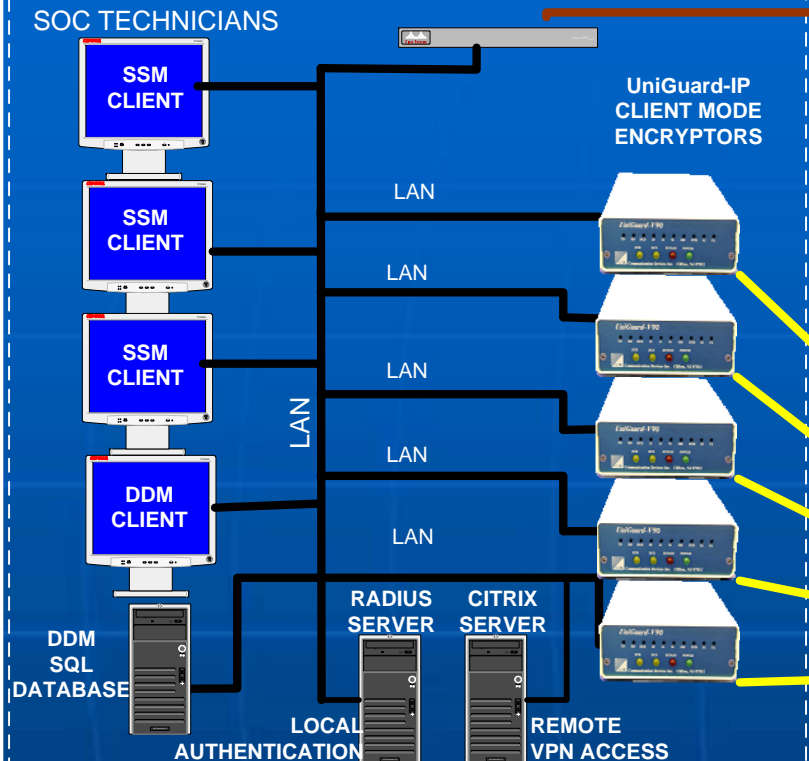
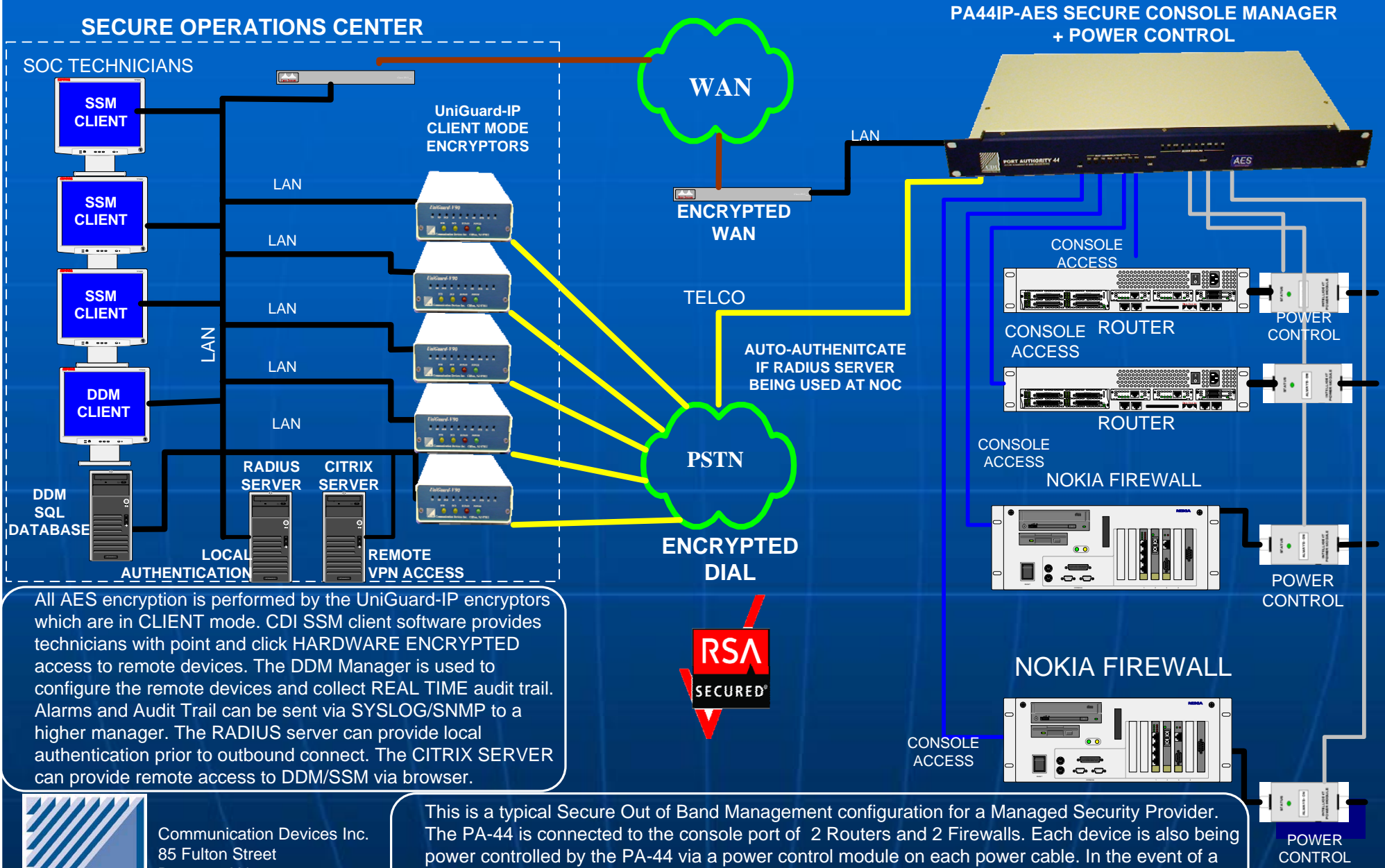


SECURE IN/OUT OF BAND MANAGEMENT WITH POWER CONTROL OVER DIAL-UP & NETWORK with "REAL TIME" MANAGEMENT



All AES encryption is performed by the UniGuard-IP encryptors which are in CLIENT mode. CDI SSM client software provides technicians with point and click HARDWARE ENCRYPTED access to remote devices. The DDM Manager is used to configure the remote devices and collect REAL TIME audit trail. Alarms and Audit Trail can be sent via SYSLOG/SNMP to a higher manager. The RADIUS server can provide local authentication prior to outbound connect. The CITRIX SERVER can provide remote access to DDM/SSM via browser.

This is a typical Secure Out of Band Management configuration for a Managed Security Provider. The PA-44 is connected to the console port of 2 Routers and 2 Firewalls. Each device is also being power controlled by the PA-44 via a power control module on each power cable. In the event of a problem, the SOC technician can AES dial-up/WAN to the PA-44. This will then allow console access and power control of each device. At no time is the PA-44 relying on network security to operate as the network is in question when the device is used. All Management traffic is sent REAL TIME over the WAN. If RADIUS is used at the NOC then devices can auto-authenticate with each other eliminating a second set of credentials while maintaining 2 factor authentication security.



Communication Devices Inc.
85 Fulton Street
Boonton, NJ 07005
+1.973.334-1980
www.commdevices.com